

Not Binding Operating and Assembly Instruction Progressive Cavity Pump

This operating and assembly instruction is only
for general information.

Type

TÖ 0€F5-2I ~ | Áo €1G-G
Úcœ | ^•• Á c ^ | Dã Á [| c Á ^ • ã } Á

1	Safety	1
1.1	General notes	
1.2	Safety and warning notes	
1.2.1	Warning notes	
1.2.2	Danger symbols	
1.2.3	Information symbols	
1.3	Dangers that can be caused by the machine	
1.4	Qualification of the personnel	
1.5	Authorised people	
1.5.1	Tasks and information for the owner/operators	
1.5.2	Safety notes for maintenance, inspection and assembly work	
1.6	Personal protective equipment	
1.7	Safety and protective devices	
1.8	Foreseeable misuse	
1.9	Designated use	
1.10	Warranty	
2	Description of the pump	5
2.1	General description	
2.2	Mode of action and pumping principle of the pump	
2.3	Constructive design	
3	Technical Data	6
4	Transport, Intermediate storage, Disposal	8
4.1	Safety	
4.2	Transport	
4.2.1	Dimensions, weight and centre of gravity	
4.2.2	Symbol	
4.2.3	Lashing points (AP) for lifting devices	
4.2.4	Unpacking the machine	
4.3	Temporary storage/corrosion protection	
4.4	Disposal	

5	Assembly / Installation.....	11
5.1	Mounting tools / lifting gear	
5.2	Space requirement	
5.2.1	Dimension for stator replacement	
5.3	Assembly of the complete mounted pump	
5.4	Power supply of the pump	
5.5	Pipelines	
5.5.1	Suction and pressure connection	
5.5.2	Pipeline dimensions	
5.5.3	Residue-free pipelines	
5.5.4	Tension-free assembly	
6	Commissioning / De-Commissioning.....	13
6.1	Commissioning report.....	13
6.2	Measures before commissioning.....	14
6.2.1	Checking pipelines	
6.2.2	Protective devices on the pump	
6.2.3	Electrical / hydraulic connections	
6.2.4	Direction of rotation check	
6.2.5	Additional devices - optional	
6.3	Initial commissioning/repeated commissioning	
6.3.1	Avoiding dry running of the pump	
6.3.2	Pressure in the suction and pressure connection	
6.4	De-commissioning	
6.4.1	Switching off the pump	
6.4.2	Emptying the pump	
6.4.3	Dismantling the pump	
6.4.4	Preservation/storage of the pump	
7	Maintenance.....	19
7.1	Preventative measures	
7.1.1	Pump down-time	
7.2	Lubrication	
7.2.1	Joint grease	
7.3	Inspection	
8	Malfunctions, causes, rectification.....	21
9	Pump Dismantling / Reassembly.....	23
9.1	Pump Dismantling / Reassembly.....	23
9.1.1	Prepare the pump for dismantling	
9.1.2	Dismantling	
9.1.3	Reassembly	

9.2	Rotating unit – individual parts	29
9.2.1	Dismantling	
9.2.2	Rotating unit (RTE) - prepare individual parts for reassembly	
9.2.3	Rotating unit (RTE) - individual parts - reassembly	
9.3	Holding band - assembly.....	33
9.3.1	Prepare the holding band	
9.3.2	Check the holding band	
9.3.3	Assembling the holding band	
9.3.4	Correct tension for the holding band (HBD)	
9.3.5	Cant up the holding band	
9.3.6	Shear the holding band	
9.3.7	Check the holding band after assembly	
9.4	Mechanical seal	35
9.4.1	Safety	
9.4.2	Application conditions and material version	
10	Spare parts.....	36
10.1	Order template for spare parts.....	38
11	Special tools	41
12	Related documents	42
13	Appendix.....	44
13.1	Manufacturer's documents / suppliers	

Subsidiaries

1.1 General notes

- Always keep the operating and maintenance instructions close by the machine.
- If problems cannot be solved with reference to the operating and maintenance instructions, please contact the manufacturer.

Observe the following points in addition to these operating and maintenance instructions:

- Prohibition, warning and mandatory signs, warning notes on the machine
- Relevant laws and ordinances
- Statutory provisions on accident prevention
- Corresponding harmonised standards and regulations

1.2 Safety and warning notes

- Comply with safety and warning notes for safe and efficient use of the product.

Signal words for specific dangers and (possible) consequences are explained below. These are supplemented by symbols (pictograms) if necessary.

1.2.1 Warning notes

NOTICE
<p>Caution for machine! Possible danger. Material damage can occur.</p>
CAUTION
<p>Caution for people and machine! Possible danger. Minor injury or damage to property can occur.</p>
WARNING
<p>Warning for people! Possible danger. Death or serious injury can occur.</p>
DANGER
<p>Danger for people! Possible danger. Immediate risk of sever or fatal injury.</p>

1.2.2 Danger symbols

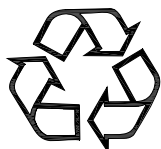


Warning:
Suspended load.



Warning:
Dangerous electrical
voltage.

1.2.3 Information symbols



Ensure environmental protection. Wear eye protection.

- Instruction to act/take measures
- List item

1.3 Dangers that can be caused by the machine

seepex machines are built in accordance with the state of the art.

Nevertheless, there is a residual risk, because the machine works with:

- Mechanical movements that pose a danger
- Electrical voltages and currents

We have used design measures and applied safety technology to minimise the risk to the health of people posed by this danger.

1.4 Qualification of the personnel

This handbook is intended for:

- Owner
- Operators
- Setters
- Maintenance personnel

1.5 Authorised people

People authorised to undertake operation, set up and maintenance are instructed and trained specialists employed by the owner/manufactururer.

Detailed technical knowledge is essential for performing any work on the machine.



The owner is responsible for:

- Personnel training
- Compliance with safety regulations
- Compliance with operating and maintenance instructions

The operator must:

- Have received instruction
- Read and understood the relevant parts of the operating instructions before starting work
- Know the safety devices and regulations

1.5.1 Tasks and information for the owner/operators

- Regularly check and maintain the machine, replacing all parts in good time which no longer guarantee safe operation.
- It is essential to comply with the procedure described in the operating instructions for shutting down the machine.
- On completion of work, attach all safety and protective devices and make sure they are functioning.

1.5.2 Safety notes for maintenance, inspection and assembly work

- Do not work on the machine or system unless it is stationary and depressurised.
- Switch off the master switch and pull out the power plug before starting work on live components.
- Comply with the procedure for shutting down the machine as described in the Shut-down chapter.
- Decontaminate (de-toxify) machines that are used for pumping media that can be harmful to health.
- Refer to the Initial start-up chapter before repeated start-up of the machine.

1.6 Personal protective equipment

- Wear personal protective equipment and/or additional equipment for your own safety.
- Avoid/limit risks by the use of collective technical protective equipment or by organisational measures at work.

1.7 Safety and protective devices

- Prior to start-up, bolt seepex machines onto a concrete foundation so as to ensure stability.
- Starting and stopping devices must be clearly recognisable. Take appropriate measures to avoid defects.
- No protective device is necessary for checking and/or setting the shaft seal.
- Hot surfaces are identified with a danger symbol on the machine.

1.8 Foreseeable misuse

Serious personal injury and damage to property can be caused by:

- Incorrect use
- Incorrect installation or operation of the machine
- Impermissible removal of necessary protective equipment

1.9 Designated use

- Only use seepex machines if they are in perfect condition and in compliance with the operating and maintenance instructions.
- Do not start up the machine unless the system in which the machine is installed is in accordance with the provisions of the applicable guidelines and statutory regulations.
- Equivalent sustained sound pressure level at workplaces of operating personnel C75 dB (A). Cavitation-free operation of the machine and screwed connection to concrete foundation are essential.
- seepex machines are components that are exclusively intended for pumping media in accordance with the technical data (→ chapter 3). Written approval must be obtained from the manufacturer before other media are pumped.
- Refer to the information on the type plate and the operating instructions for technical data (→ chapter 3), and comply with them.
- The operating instructions are assigned to the seepex machine based on the commission number.

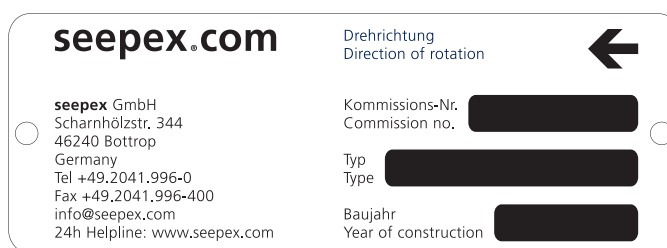


Fig. 1-1 Similar illustration

1.10 Warranty

- Warranty in accordance with our terms and conditions of delivery and order confirmation.
- It is a condition of the machine warranty that the machine must correspond to the listed operating instructions in accordance with the type plate/data sheet.
- All wearing parts are excluded from the warranty.
- These operating instructions are subject to copyright. Reproduction is not permitted and will be punished. Contravention will be pursued through the courts.

2.1 General description

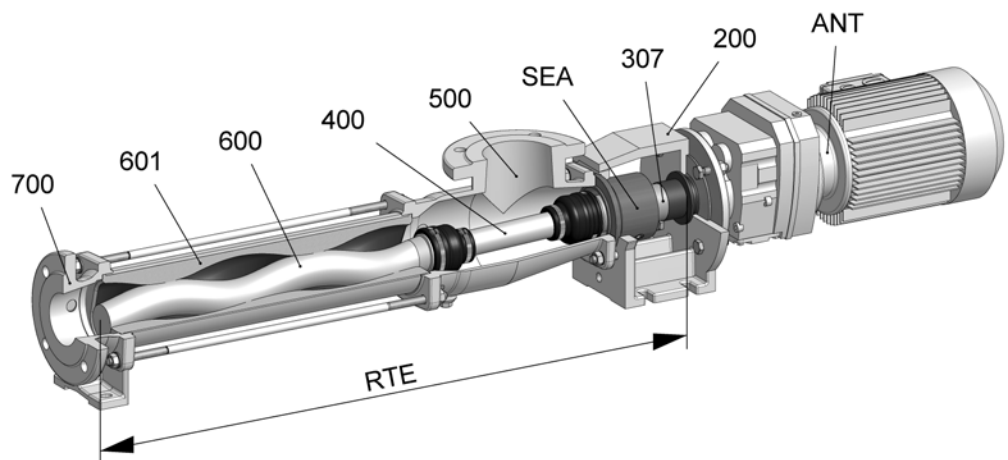
seepex pumps are members of the group of rotating displacement pumps.

- Characteristic features
 - Special configuration/arrangement of the rotor and stator pumping elements.
 - Motion sequence

2.2 Mode of action and pumping principle of the seepex pump

- Sealing bands are produced through geometric design/contact of both conveying elements.
- Sealing bands ensure a perfect fit between the suction and pressure side.
Result:
 - Increased pump suction.
 - Higher pressure build-up independent of speed possible.

2.3 Constructive design



No.	Designation
ANT	Drive
200	Lantern
307	Plug-in shaft
400	Coupling rod
SEA	Shaft seal
500	Suction casing
600	Rotor
RTE	Rotating unit
601	Stator
700	Pressure branch

3.1 Data sheet

3.2 Characteristic Curves

3.3 Declaration

- Data sheet, characteristic curves and declarations are commission specific documents and not part of this not binding operating and assembly instruction.

4.1 Safety

CAUTION
<p>Damage to property/injuries due to incorrect transport Slight injury or damage to property can occur</p> <ul style="list-style-type: none"> ➤ Comply with the safety notes and transport notes on the packaging. ➤ Use suitable means of transport, lifting devices and tools. ➤ Use protective equipment.

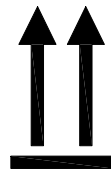
4.2 Transport

4.2.1 Dimensions, weights and center of gravity

- Note the dimensional drawing (→ chapter 5.6).

4.2.2 Symbols

- Meaning of symbol



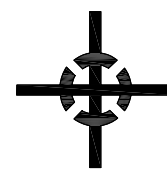
Top



Fragile
item



Against moisture
protect



Centre of gravity

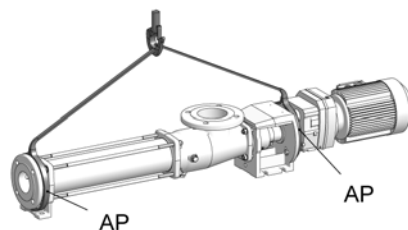


Lashing points

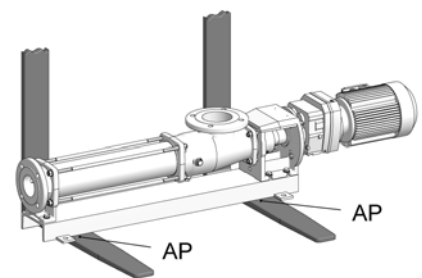
4.2.3 Sling points (AP) for lifting devices

WARNING
<div style="display: flex; align-items: center;"> <div> <p>Warning of suspended load. Death or serious injury can occur.</p> <ul style="list-style-type: none"> ➤ Use the lashing points (AP) for lifting devices. ➤ Note the centre of gravity (→ dimensional drawing, chapter 5.6). </div> </div>

Lifting machine



Industrial trucks



4.2.4 Unpacking the machine


- Comply with the symbols and notices on the packaging.
- Remove the screwed connection between the machine and packaging.
- Remove the machine with a lifting machine/industrial truck.

4.3 Temporary storage/Corrosion protection


- All seepex machines have corrosion protection applied as standard prior to transport.

<i>NOTICE</i>	
	<p>Damage to property if corrosion protection is missing Property damage can occur due to corrosion.</p> <ul style="list-style-type: none">➤ Temporary storage must be in a dry, enclosed, frost-free room in order to provide protection against ambient influences.➤ Contact seepex regarding the necessary corrosion protection for temporary storage.

4.4 Disposal

	<i>NOTICE</i>
	<p>Environmental protection Material damage can occur.</p> <ul style="list-style-type: none">➤ Drain the pumping medium and dispose of it in accordance with the regulations.➤ Dispose of the machine with regard to its composition and existing regulations.

5.1 Mounting tools / lifting gear

 CAUTION
<p>Pump falling over. Slight injury or damage to property can occur.</p> <ul style="list-style-type: none"> ➤ Adhere to the lifting tool's starting point. ➤ Pay attention to the dimensions, weight and centre of gravity of the pump. ➤ Use suitable mounting tools/lifting gear.

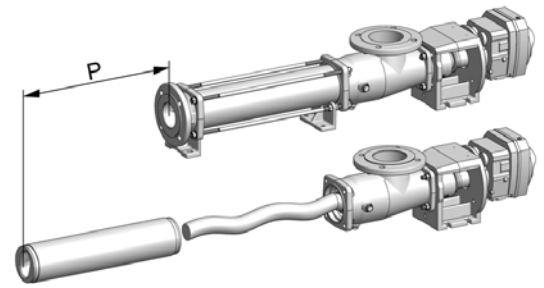
5.2 Space requirement

The required space should be determined by considering the following factors:

- Dimensions and weight.
- Requisite transport and lifting equipment.
- Pipe routing – dismantling (dimension for stator replacement).

5.2.1 Dimension for stator replacement (P)

- Refer to the dimensional drawing.



5.3 Assembly of the complete mounted pump


- Assemble according to technical data (→ chapter 3.).
- Note dimensional drawing.

Tension-free mounting of the pump


- Balance unevenness with suitable supports.
- Applies to mounting on foundations/load-bearing elements.
- Total areas of all pump bearing areas are resting on the surface.

Correct position of the drives

- All drives are set up ready for operation and mounted.
- Correct displacements of the drive during transport/installation of the pump by adjusting/fixing the drive.

 CAUTION
<p>Safety protection equipment. Slight injury or damage to property may result.</p> <ul style="list-style-type: none"> ➤ Connect safety protection equipment and activate.

5.4 Power supply of the seepex pump

	! DANGER
	<p>Supply voltage and power frequency. Death or serious injury will result.</p> <ul style="list-style-type: none">➤ Heed type plate on the pump.➤ Pay attention to manufacturer's directions (→ chapter 13.).➤ Pay attention to safety regulations.

5.5 Pipelines

5.5.1 Suction and pressure connection

- Refer to the dimensional drawing for the position, nominal width and standard.
- Note direction of rotation/flow direction.

5.5.2 Pipeline dimensions

- Adhere to specifications regarding pressure in the pressure respectively suction connection.
- Note technical data (→ chapter 3.).
- Nominal width of suction pipe = nominal width of suction connection of pumps.

5.5.3 Residue-free pipelines

NOTICE
<p>Damage to property through assembly residue. No claims under guarantee if violated.</p> <ul style="list-style-type: none">➤ Keep all pipe work free of foreign objects.➤ Remove weld spatters, screws, steel chips etc.

5.5.4 Tension-free assembly

- Assemble pipelines and other components in a tension-free manner on the pump.

Master Copy

6.1 Commissioning report

Send commissioning report online to
www.seepex.com

Must be specified with every order!

Commission:

Model:

From:

Contact person:
 Tel.:
 Fax:
 E-mail:

Customer Service:

seepex GmbH
 Postfach 10 15 64
 D-46215 Bottrop
 service@seepex.com

Germany

Phone:+49 2041.996-231
 Fax: +49 2041.996-431

Rest of Europe

Phone:+49 2041.996-224
 Fax: +49 2041.996-424

Outside Europe

Phone:+49 2041.996-120
 Fax: +49 2041.996-432

Address of plant:

.....

Delivery date:

Date of installation:

Assembly check carried out on:

Please enter operational data:

Conveying liquid:

Temperature:

Fuse level/motor protection or power consumption

Frequency control

no

yes

If yes:

Supplied by seepex

Supplied by customer

Frequency:

Speed:

Power consumption:

Place, date

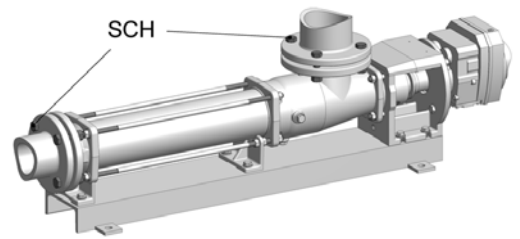
Signature / company stamp

6.2 Measures before commissioning

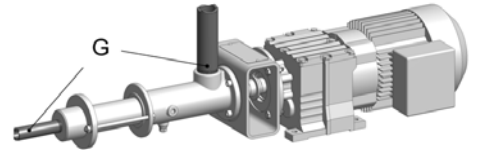
- Note the technical data (→ chapter 3.).

6.2.1 Checking pipelines

- Check flange screwed connections (**SCH**).



- Check threaded connections (**G**).



NOTICE
<p>Ensure the liquid can flow through without obstruction. Malfunction and/or irreparable damage to the pump.</p> <ul style="list-style-type: none"> ➤ Open all shut-off elements before switching on the pump.

6.2.2 Protective devices on the pump

DANGER
<p>Missing protective device. Danger of pulling in and crushing.</p> <ul style="list-style-type: none"> ➤ Equip the pump with a protective device. Protective devices provided for preventing contact with surfaces or moving parts must be regarded as suitable if contact is not possible in a test involving a test finger, with regard to the penetration possibility, strength and shock resistance. ➤ Comply with national protection regulations. ➤ In pumps with an open suction flange/feed hopper, attach touch protection. These safety clearances protect those persons who are attempting to reach danger areas without additional help and under the conditions defined for various situations of reaching up, reaching under or reaching through <p>In shaft seals, touch protection is only necessary if there are components on the rotating shaft.</p>

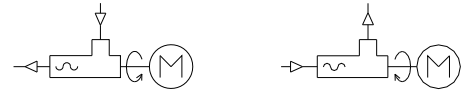
6.2.3 Electrical/hydraulic connections

	DANGER
	<p>Dangerous voltage. Death or serious injury can occur.</p> <ul style="list-style-type: none"> ➤ Note safety regulations. ➤ Disconnect motor from all sources of energy. ➤ Secure electrical connections against restarting.

6.2.4 Direction of rotation check

- The pump direction of rotation determines the flow direction of the pumping medium.
- Note the direction of rotation arrow on the type plate.

flow direction



counter clockwise

clockwise

6.2.5 Additional devices - optional

- Refer to additional devices (→ chapter 12.1).

6.3 Initial commissioning/repeated commissioning

- Start up the pump.

NOTICE

Dry running of the pump.

Malfunction and/or irreparable damage to the pump.

- Fill the suction casing with liquid in order to lubricate the pumping elements.

6.3.1 Avoid dry running of the pump

NOTICE

High temperature between rotor and stator.

Stator material burned.

Complete failure of the pump.

- Make sure that the suction-side conveying capacity does not cavitate.
- If this cannot be guaranteed on the machine side, assemble a seepex dry running protection (TSE).

6.3.2 Pressure in the suction and pressure connection



CAUTION

High pressure.

Malfunction and/or irreparable damage to the shaft seal or pump.

- Maintain pressure in the suction connection in accordance with the technical data (→ chapter 3.).

Recommendation:


- Assemble an oil-filled contact pressure gauge to monitor and deactivate the pump.

6.4 De-commissioning

Protect the pump and additional devices against the following:

- Frost
- Deposit of solids
- Sedimentation from the liquid
- Corrosion of parts that come into contact with the medium

6.4.1 Switching off the pump

	! DANGER
	Dangerous voltage. Death or serious injury can occur. <ul style="list-style-type: none">➤ Note safety regulations.➤ Disconnect motor from all sources of energy.➤ Secure electrical connections against restarting.

6.4.2 Emptying the pump

! CAUTION
Liquid draining out. Minor injury or damage to property can occur. <ul style="list-style-type: none">➤ Wear suitable protective clothing.➤ Refer to the technical data (→ chapter 3.) for the corresponding configuration of the pump housing.

To drain the pump:

- If the pump housing has screwed plugs, remove the screwed plugs.
- Drain using a connection branch (suction casing, pressure branch) if the pump housing is coated or the housing does not have screwed plugs.
- Drain the residual liquid from the pump housing.
- Drain the pipelines on the suction and pressure sides, or shut off behind the pump connections.

6.4.3 Removing the pump

**WARNING****Risk of pump tipping or falling.**

Death or serious injury can occur.

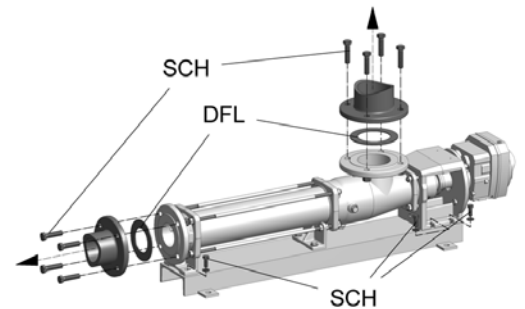
- Support the drive unit to guarantee stability.

Pipeline dismantling

- Remove flange bolts (**SCH**) and flange seals (**DFL**).

with/without base plate

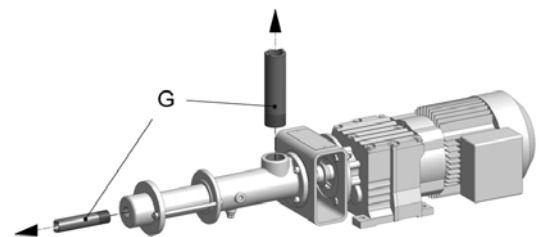
- Remove bolts (**SCH**) from the pump feet.

**Pipeline dismantling**

- Remove threaded connections (**G**).

with/without base plate

- Remove bolts (**SCH**) from the pump feet.



6.4.4 Preservation/storage of the pump

NOTICE**Damage to property due to lack of corrosion protection.**

Property damage can occur due to corrosion.

- Contact seepex to discuss suitable preservation measures.
 - State the commission number of the pump.

7.1 Preventive measures



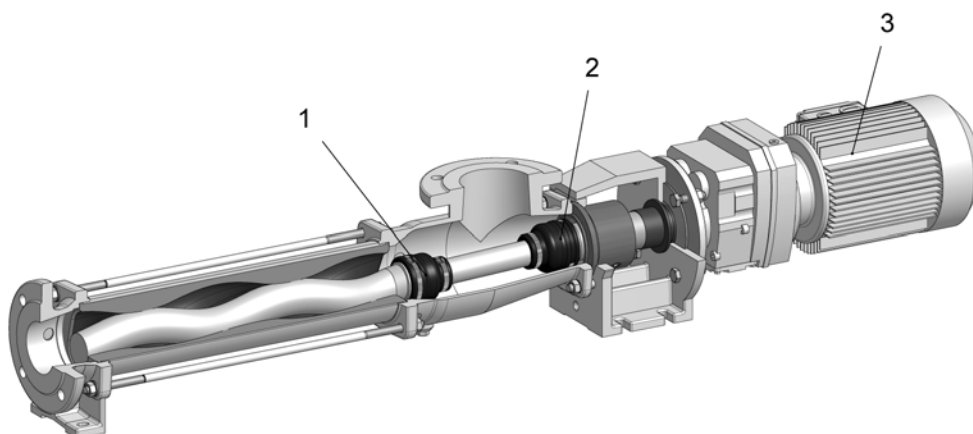
The maintenance personnel must have these operating instructions, follow them and also require corresponding qualifications.

	! DANGER
	<p>Dangerous voltage. Death or serious injury can occur.</p> <ul style="list-style-type: none"> ➤ Note safety regulations. ➤ Disconnect pump from all sources of energy. ➤ Secure electrical connections against restarting.

7.1.1 Pump down-time

NOTICE
<p>Pump down-time. Production failure due to wear.</p> <ul style="list-style-type: none"> ➤ Acquisition of a set of wearing parts and a set of gaskets.

7.2 Lubrication



No.	Denomination	Lubricant	Lubricant change in operating hours	Fill volume
1	Pin joint	seepex special grease *	10000 h	*
2	Pin joint	seepex special grease *	10000 h	*
3	Drive	Refer to manufacturer's documentation (chapter 13._)		
	Rotor/stator	Conveying medium	---	---
	Shaft seal	Conveying medium	---	---

* Type and filling quantities are commission specific information.

7.2.1 Joint grease

NOTICE
<p>Other grease types. Malfunction and/or irreparable damage to the joints or the pump.</p> <p>➤ Exclusively use seepex special grease.</p>

7.3 Inspection

Component	Interval	Action
Joints	Every 10,000 operating hours	Renew joint grease
Stator	Every week	Visual check for leaks
Shaft seal	Every week	Visual check for leaks
Drive unit	Every 3000 operating hours, at least every 6 months	Comply with manufacturer's documentation

Refer to technical data (chapter 3.) for application range of the pump.



Malfunction									Causes	Rectification
Pump is not sucking	Pump pumping unevenly	Conveying capacity is not achieved	Pressure head is not reached	Pump does not start up	Pump seized / pump does not pump	Pump is loud when running	Motor gets too hot	Premature stator wear		
			X				X	X	Static friction between stator/rotor too great.	Apply lubricant (liquid soap) between stator and rotor.
X									Incorrect direction of rotation.	Check direction of rotation and swap over motor connections if necessary.
X	X	X			X	X			Suction pipe or shaft seal leaking.	Eliminate leaks.
X	X	X				X			Suction head too great.	Check the suction head, if necessary increase pipe cross section on suction pipe and use a larger filter, open suction-side valve fully.
X	X	X							Viscosity of conveying product too great.	Check/adapt (data sheet).
		X	X				X		Pump rotation speed incorrect.	Correct rotation speed (data sheet).
	X	X								Avoid air bubbles in the conveying product.
		X	X	X	X	X	X	X	Pressure head too great.	Check pressure head with pressure gauge, reduce pressure head by using larger pressure pipe crossed section or shortening the pressure pipe.
X	X	X			X			X	Pump running partially/ completely dry.	Check there is adequate conveying product available on the suction side. Dry running protection DRP.
						X	X		Check coupling.	If necessary, move pump in relation to drive, check wear on coupling gear, re-adjust coupling if necessary.
X		X							Rotation speed too low.	Increase rotation speed for low-viscosity media/large suction volume.

Malfunction									Causes	Rectification	
Pump is not sucking	Pump pumping unevenly	Conveying capacity is not achieved	Pressure head is not reached	Pump does not start up	Pump seized / pump does not pump	Pump is loud when running	Motor gets too hot	Premature stator wear			Shaft seal is leaky
X	X					X				Rotation speed too high.	Reduce rotation speed for high-viscosity media, risk of cavitation.
						X				Joint play too large.	Check mounting of coupling rod bushing.
X		X		X	X			X		Foreign objects in pump.	Dismantle pump, remove foreign bodies, replace defective parts.
X		X	X		X					Stator/rotor worn.	Dismantle pump and renew defective parts.
X		X			X	X				Joint parts worn.	Renew joint parts, use seepex pin joint grease.
X		X			X			X		Suction pipe blocked.	Clean the suction pipe.
X				X	X		X	X		Temperature of pumping liquid too high.	Check temperature, use an undersize rotor.
X		X		X			X		X	Gland packing too firm/worn.	Loosen packing gland or tighten. Renew unusable packing rings.
X				X	X			X		Solid content and/or grain size too great.	Reduce pump speed, install screen with permitted mesh width. Increase liquid proportion.
X				X				X	X	Sedimentation/gumming of solids when pump stationary.	Rinse through and clean the pump immediately.
X				X	X			X	X	Conveying product hardens when the temperature drops below a certain limit.	Heat the pump.
				X	X		X	X		Stator swollen and unable to withstand conveying product.	Select a suitable stator material, use an undersize rotor.
						X			X	Bearings in pump drive housing or drive unit defective.	Renew bearings.
									X	Mechanical seal defective.	Check sliprings and O-rings for wear/resistance, renew if necessary.

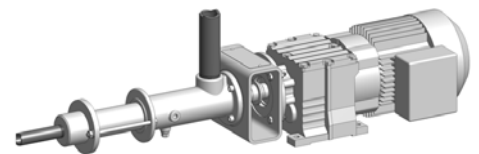
9.1 Pump Dismantling/Reassembly

Range: MD, stainless steel / tie bolt design
Size: 0015-24 to 012-24


9.1.1 Preparing the pump for dismantling

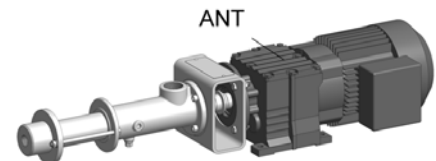
	 DANGER
	<p>Dangerous voltage. Death or serious injury can occur.</p> <ul style="list-style-type: none"> ➤ Note safety regulations. ➤ Disconnect motor from all sources of energy. ➤ Secure electrical connections against restarting.

- Empty pipelines.
- Allow pipelines to cool down.
- Remove pipeline connections (suction side/pressure side).
- Note decommissioning (→ chapter 6.4).



9.1.2 Dismantling

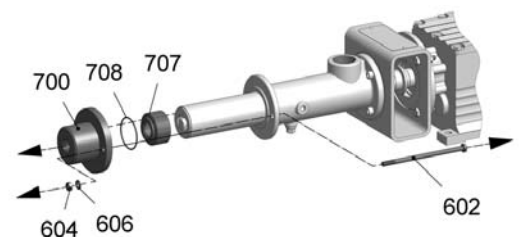
	WARNING
	<p>Risk of pump tipping or falling. Death or serious injury can occur.</p> <ul style="list-style-type: none"> ➤ Fasten the drive (ANT) to secure the pump.



9.1.2.1 Pressure branch (700) - Dismantling

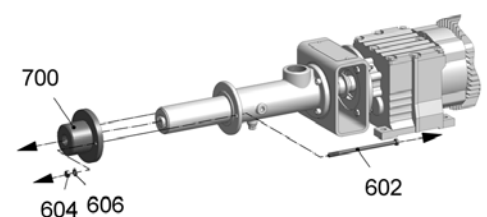
with reducing unit (707)

- Remove screw fitting (**604, 606**).
- Remove pressure branch (**700**).
- Remove tie bolt (**602**).
- Remove reducing unit (**707**) and O-ring (**708**).



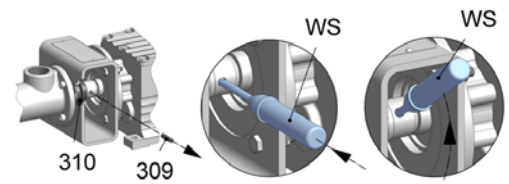
without reducing unit

- Remove screw fitting (**604, 606**).
- Remove pressure branch (**700**).
- Remove tie bolt (**602**).



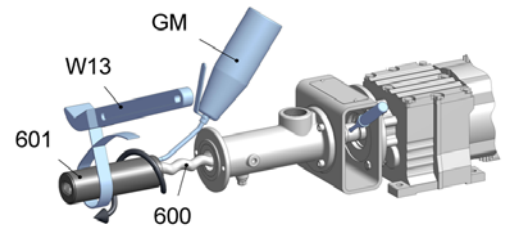
9.1.2.2 Stator (601) - Dismantling

- Raise/move splash ring (310).
- Remove the plug-in shaft pins (309).
- Insert tool (WS).
- Turn tool (WS) upwards.



Tool (W13/stator strap wrench)

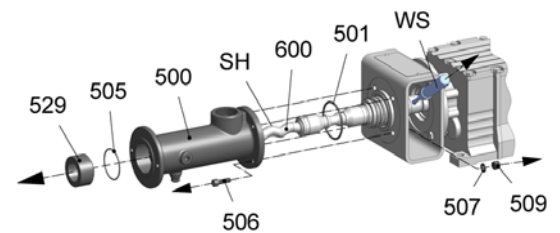
- Add lubricant (GM) to the opening on pressure branch side between the rotor (600) and the stator (601).
- Turn the stator (601) in the “left” rotating direction and remove.
 - Use tool (W13).



9.1.2.3 Suction casing (500) - Dismantling

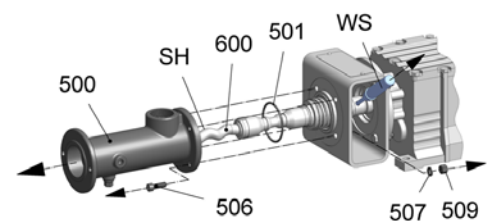
with reducing unit (529)

- Put a protective cover (SH) on the rotor (600)
- Remove reducing unit (529) and O-ring (505).
- Remove screw fitting (506, 507, 509).
- Remove suction casing (500) and casing gasket (501).
- Remove tool (WS).



without reducing unit

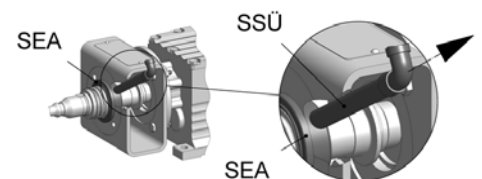
- Put a protective cover (SH) on the rotor (600)
- Remove screw fitting (506, 507, 509).
- Remove suction casing (500) and casing gasket (501).
- Remove tool (WS).



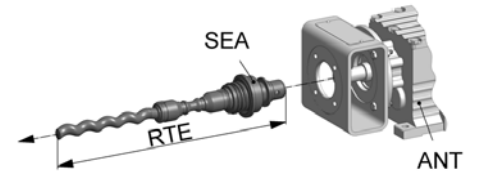
9.1.2.4 Rotating unit (RTE) - Dismantling

with flush connection

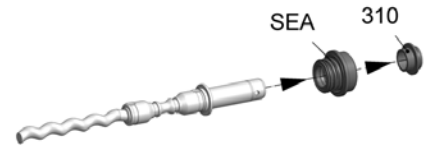
- Remove the flush connection (SSÜ) on the shaft seal casing (SEA).



- Pull the rotating unit (**RTE**) with shaft seal (**SEA**) off from the output shaft of the drive (**ANT**).

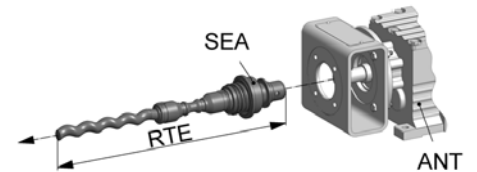


- Pull off the splash ring (**310**).
- Pull off the shaft seal casing (**SEA**).
 - Note dismantling shaft seal (→ chapter 9.4).

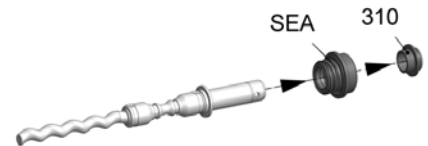


without flush connection

- Pull the rotating unit (**RTE**) with shaft seal (**SEA**) off from the output shaft of the drive (**ANT**).

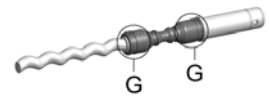


- Pull off the splash ring (**310**).
- Pull off the shaft seal casing (**SEA**).
 - Note dismantling shaft seal (→ chapter 9.4).



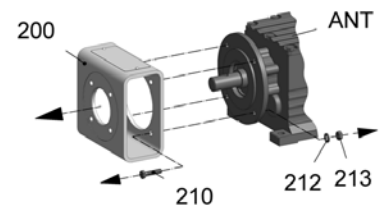
9.1.2.5 Rotor (600), coupling rod (400), plug-in shaft (307) - Dismantling

- Joint (**G**) dismantling note rotating unit - individual parts (→ chapter 9.2).



9.1.2.6 Lantern (200)/drive (ANT) - Dismantling

- Remove the screw fitting (**210, 212, 213**).
- Remove lantern (**200**).

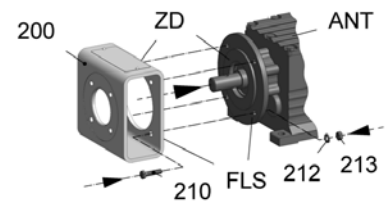


9.1.3 Reassembly

 WARNING	
<p>Risk of pump tipping or falling. Death or serious injury can occur.</p> <ul style="list-style-type: none"> ➤ Fasten the drive (ANT) to secure the pump. 	

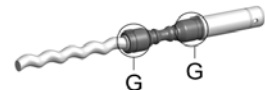
9.1.3.1 Lantern (200)/drive (ANT) - Reassembly

- Clean the flange bearing surfaces (**FLS**), bolt circle (**ZD**) and the output shaft of the drive unit (**ANT**).
- Mount the lantern (**200**) to the drive (**ANT**) with screw fittings (**210, 212, 213**).



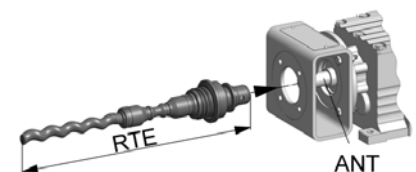
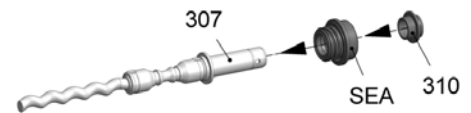
9.1.3.2 Rotor (600), coupling rod (400), plug-in shaft (307) - Reassembly

- Joint (**G**) reassembly note rotating unit - individual parts (→ chapter 9.2).



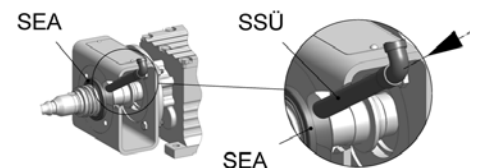
9.1.3.3 Rotating unit (RTE) - Reassembly

- Slide on shaft seal casing (**SEA**).
 - Note reassembly shaft seal (→ chapter 9.4).
- Moisten splash ring (**310**) and plug-in shaft (**307**) with antiseize graphite petroleum.
- Slide splash ring (**310**) onto plug-in shaft (**307**).
 - Observe fitting position of splash ring (see lettering).
- Apply antiseize graphite petroleum to the output shaft of drive (**ANT**).
- Slide on rotating unit (**RTE**).



with flush connection

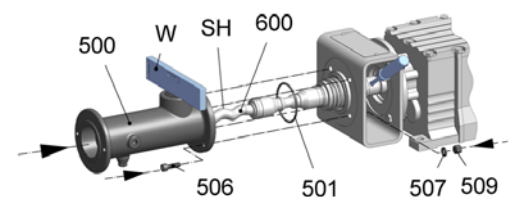
- Mount the flush connection (**SSÜ**).



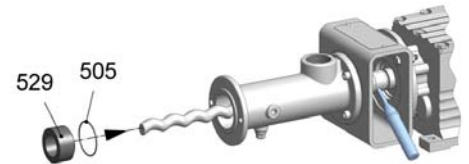
9.1.3.4 Suction casing (500) - Reassembly

with reducing unit (529)

- Put a protective cover (**SH**) on the rotor (**600**).
- Push on the casing gasket (**501**).
- Mount and align the suction casing (**500**) with screw fitting (**506, 507, 509**).
 - Use spirit level (**W**).
- Remove the protective cover (**SH**).

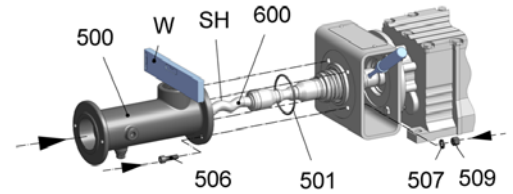


- Push on reducing unit (529) and O-ring (505).



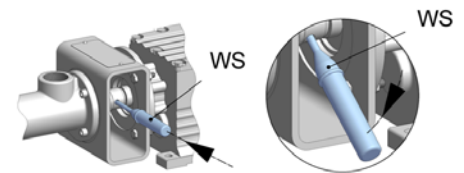
without reducing unit

- Put a protective cover (SH) on the rotor (600).
- Push on the casing gasket (501).
- Mount and align the suction casing (500) with screw fitting (506, 507, 509).
 - Use spirit level (W).
- Remove the protective cover (SH).



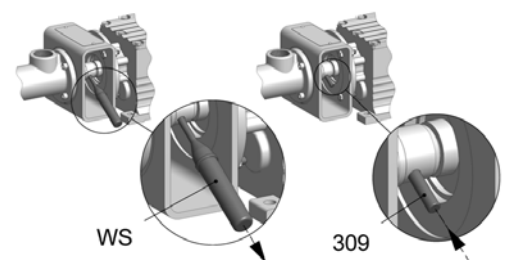
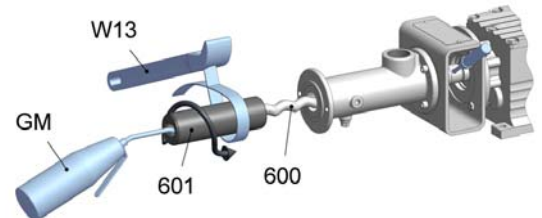
9.1.3.5 Stator (601) - Reassembly

- Insert tool (WS).
- Turn tool (WS) down.

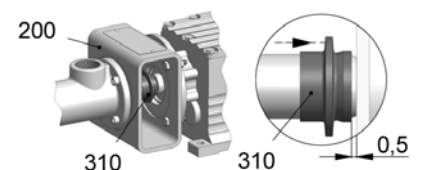


Tool (W13/stator strap wrench)

- Moisten outer surface of rotor (600) with lubricant (GM).
- Moisten inner surface of stator (601) with lubricant (GM).
- Turn stator (601) in clockwise direction of rotation and push onto rotor (600).
 - Use tool (W13).
- Remove tool (WS).
- Slide in plug-in shaft pin (309).



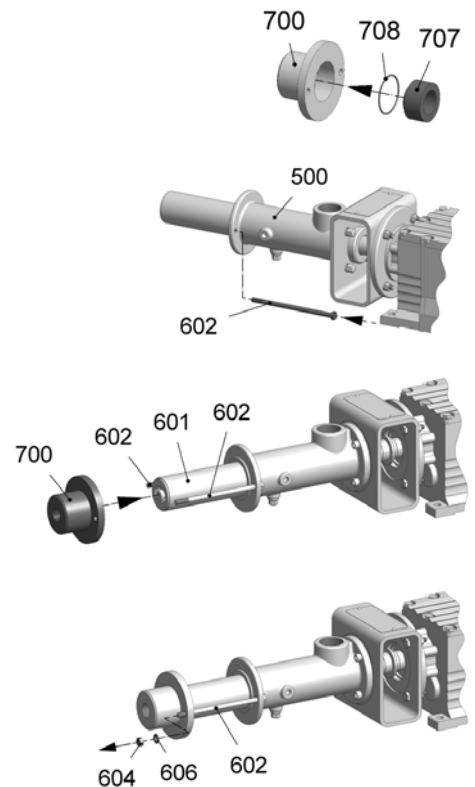
- Pay attention to the position of the splash ring (310).
- Insert the splash ring collar at a distance of 0.5 mm from the lantern (200).



9.1.3.6 Pressure branch (700) - Reassembly

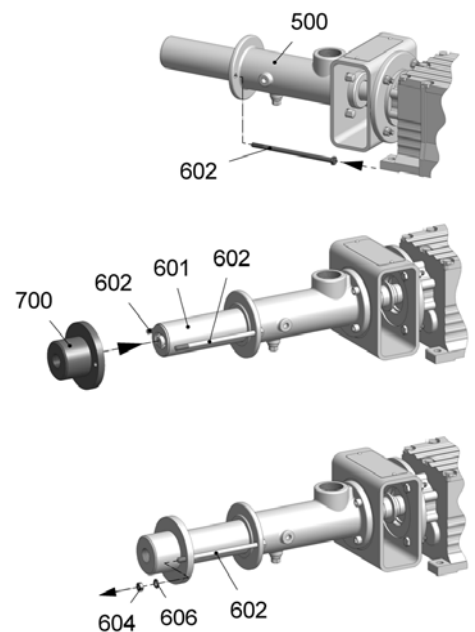
with reducing unit (707)

- Push on reducing unit (707) and O-ring (708).
- Insert tie bolts (602) loosely into the suction casing (500).
- Push pressure branch (700) on to the stator (601).
- Insert tie bolts (602) loosely in the pressure branch (700).
- Mount screw fitting (604, 606).
- Tighten tie bolts (602) equally.



without reducing unit



- Insert tie bolts (602) loosely into the suction casing (500).
- Push pressure branch (700) on to the stator (601).
- Insert tie bolts (602) loosely in the pressure branch (700).
- Mount screw fitting (604, 606).
- Tighten tie bolts (602) equally.



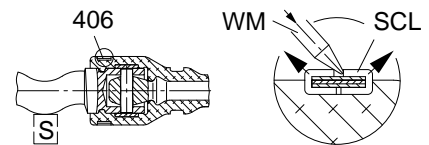
9.2 Rotating unit individual parts

9.2.1 Dismantling

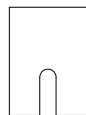
9.2.1.1 Holding band (406) - dismantling

	 CAUTION
	<p>Risk of injury. Possibility of parts spinning out.</p> <ul style="list-style-type: none"> ➤ Wear protective goggles.

- Detach holding band loop (SCL).
 - Use suitable tool (WM).
- Push out parts of holding band loop (SCL).
- Remove holding band (406).

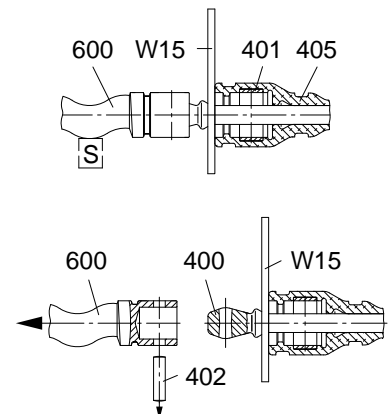


9.2.1.2 Rotor (600) - dismantling



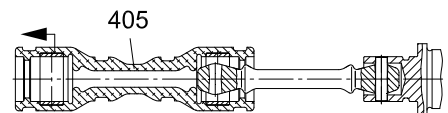
Tool (W15/mounting plate)

- Pull back the universal joint sleeve (405) with retaining sleeve (401).
- Secure tool (W15).
- Push the coupling rod bolts (402) out.
- Remove the coupling rod (400).



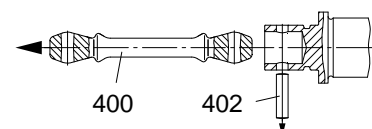
9.2.1.3 Universal joint sleeve (405) - dismantling

- Pull off the universal joint sleeve (405).



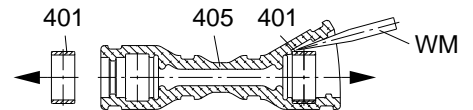
9.2.1.4 Coupling rod (400) - dismantling

- Push the coupling rod bolts (402) out.
- Remove the coupling rod (400).



9.2.1.5 Retaining sleeve (401) - dismantling

- Remove the retaining sleeve (401) from the universal joint sleeve (405).
 - Use suitable tool (WM).



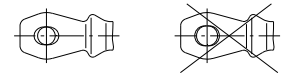
9.2.2 Preparation for reassembly

9.2.2.1 Rotor (600)

- Remove any existing damage.
- Clean the rotor (600).

9.2.2.2 Coupling rod (400)

- Clean coupling rod (400).
- Check bore head for wear.
 - If wearing is detected on the bore head, renew coupling rod (400).



9.2.2.3 Plug-in shaft (307)

- Remove existing damage.
- Clean the plug-in shaft (307).

9.2.3 Reassembly

NOTICE

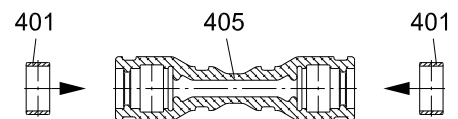
Malfunction of the joints.

Malfunction and/or destruction of joints.

- Replace coupling rod pins (402) and coupling rod (400) in the event of wear.

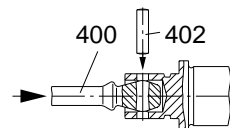
9.2.3.1 Retaining sleeve (401) - reassembly

- Moisten retaining sleeve (401) with joint grease.
- Insert the retaining sleeve (401) into the universal joint sleeve (405).



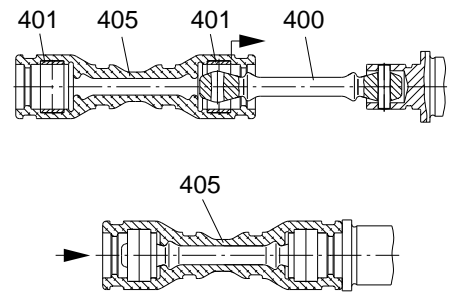
9.2.3.2 Coupling rod (400), plug-in shaft (307) - reassembly

- Fill the joint head with seepex joint grease.
- Connect the plug-in shaft (307)/coupling rod (400).
- Slide in the coupling rod bolts (402).

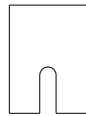


9.2.3.3 Universal joint sleeve (405) - reassembly

- Moisten the surface of the coupling rod (400) / inside of the universal joint sleeve (405) with joint grease (Maintenance Chapter 7.0).
- Slide the universal joint sleeve (405) on.

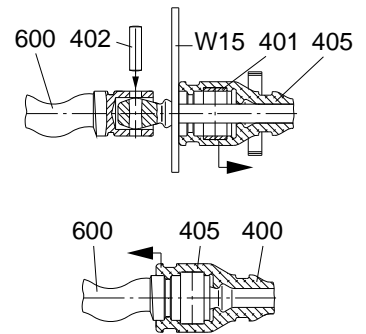


9.2.3.4 Coupling rod (400), rotor (600) - reassembly



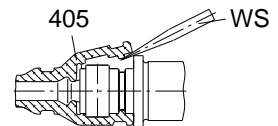
Tool (W15/mounting plate)

- Pull back the universal joint sleeve (405) with retaining sleeve (401).
- Secure tool (W15).
- Slide in the coupling rod bolts.
- Slide the universal joint sleeve (405) onto the joint head.



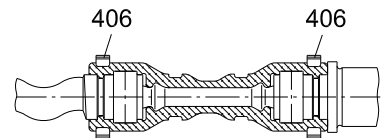
9.2.3.5 De-aerate universal joint sleeve (405)

- Remove air from the inside of the joint.
 - Use suitable tool (WS).



9.2.3.6 Holding band (406) - reassembly

- Mount the holding band (406).
 - Holding band assembly (Chapter 9._).



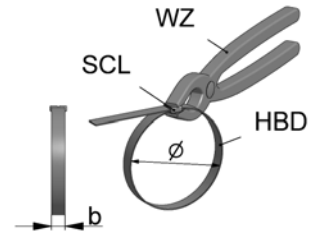
9.3 Holding band - assembly

9.3.1 Prepare the holding band

- Only use prefabricated double-band holding bands may.

9.3.2 Check the holding band

- Bent-over holding band (**HBD**) is in contact with holding band loop (**SCL**) to avoid damaging universal joint sleeve.
- Press on holding band (**HBD**) using tool (**WZ**) if necessary.

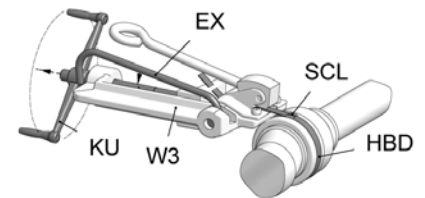


9.3.3 Assemble the holding band



- Use tool (**W3**/mounting tool)

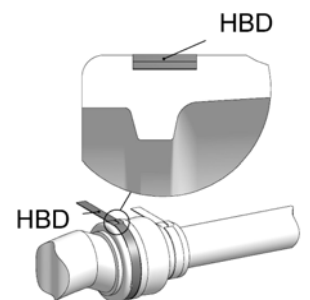
- Feed holding band into tool (**W3**).
- Hold ends of holding band with the eccentric lever (**EX**).
- Turn the crank (**KU**) until the holding band is strained and lies against the holding band loop (**SCL**).
- Carefully pull the holding band together until it is in contact with the circular groove of universal joint sleeve.



9.3.4 Correct tension of holding band (HBD)

Correct

The holding band (**HBD**) has drawn in the out shape of the universal joint sleeve and is firmly seated.



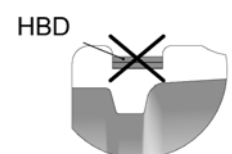
Incorrect

The holding band (**HBD**) is too loose, can slip off.



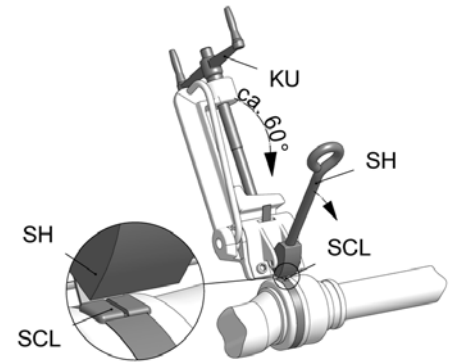
Incorrect

The holding band (**HBD**) is too tight, universal joint sleeve will be damaged/sheared off.



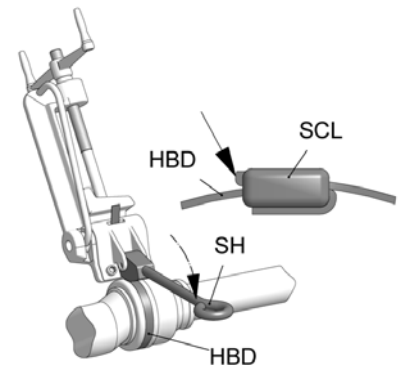
9.3.5 Cant up the holding band

- Swivel mounting tool (**W3**) approx. 60° upwards.
- Loosen crank (**KU**) by a half turn.
- Swivel cutting lever (**SH**) forward until the pressure piece is lying behind the holding band loop (**SCL**).



9.3.6 Shear the holding band (material: 1.4301; 1.4401)

- Hit the cutting lever (**SH**) with the inside of your hand.
 - Cant up and shear the end of the holding band behind the loop (**SCL**).
 - Carefully straighten up the holding band (**HBD**) if it rises up on the sheared side.



NOTICE

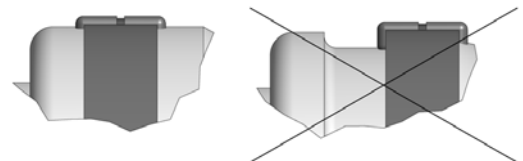
Universal joint seal damage.

Pin joint grease can emerge.

- Avoid hammering or striking.


9.3.7 Check the holding band after assembly

- The holding band must lie in the groove of the universal joint sleeve.
- Replace the holding band if the holding band slips back through the loop.



9.4 / 9.5 Shaft sealing

9.4.1 Safety

 WARNING	
Shaft seal is leaky. Leakage may escape into the atmosphere.	
<ul style="list-style-type: none">➤ Take safety measures to protect persons and the environment.➤ Wear suitable protective clothing.➤ Dispose of leakage appropriately.➤ Note applicable regulations when handling hazardous substances.	

9.4.2 Operating conditions and material combination

- Adjust to the relevant application
 - Design variants you will find at <http://www.seepex.com/en/service/downloads/>.

10.1 Spare parts list

Version for copying

10.1 Spare parts list

Spare parts can be ordered online or requested from
www.seepex.com

Type: MD 0005-24 to 025-6L
MDF 0005-24 to 025-6L

Request Order

Sender:

Must be included in every order or enquiry!

Commission:

Type:

Contact:

Tel.:

Fax:

E-mail:

Customer service:
seepex GmbH
Postfach 10 15 64
D-46215 Bottrop
service@seepex.com

Germany

Tel +492041.996-231
Fax +492041.996-431

Rest of Europe

Tel +492041.996-224
Fax +492041.996-424

Outside Europe

Tel +492041.996-120
Fax +492041.996-432

Delivery address:

.....
.....
.....
.....

No.	Quantity	Component	Material	Comment
Minor set of wearing parts <input type="checkbox"/>				
301	1	Set of packing rings		according to data sheet (chapter 3.1)
330	1	Mechanical seal		according to data sheet (chapter 3.1)
601	1	Stator		

Major set of wearing parts <input type="checkbox"/>				
301	1	Set of packing rings		according to data sheet (chapter 3.1)
307	1	Plug-in shaft		
330	1	Mechanical seal		according to data sheet (chapter 3.1)
400	1	Coupling rod		
402	2	Coupling rod pin		
403	4	Guide bushing		
405	2	Universal joint sleeve		
406	2	Holding band, large		
407	2	Holding band, small		
600	1	Rotor		
601	1	Stator		

Place, date

Signature / company stamp

Version for copying

No.	Quantity	Component	Material	Comment
Set of gaskets <input type="checkbox"/>				
301	1	Set of packing rings		
310	1	Splash ring		according to data sheet (chapter 3.1)
330	1	Mechanical seal		according to data sheet (chapter 3.1)
501	1	Casing gasket		
571	2	Sealing ring		
572	1	O-ring		
726	2	Sealing ring		
Plug-in shaft & shaft seal <input type="checkbox"/>				
301		Set of packing rings		according to data sheet (chapter 3.1)
307		Plug-in shaft		
309		Plug-in shaft pin		
310		Splash ring		
330		Mechanical seal		according to data sheet (chapter 3.1)
Coupling rod & joint parts <input type="checkbox"/>				
400		Coupling rod		
402		Coupling rod pin		
405		Universal joint sleeve		
406		Holding band, large		
401-406		Complete set of joint parts		
Conveying elements <input type="checkbox"/>				
600		Rotor		
601		Stator		
Miscellaneous parts <input type="checkbox"/>				
501		Casing gasket		
098		Pin joint grease		1 cartridge = 300 g (approx. 315 cm ³) Grease quantity according to maintenance (chapter 7.0)

Place, date

Signature / company stamp

Version for copying

Spare parts can be ordered online or requested from
www.seepex.com

Must be specified with every order!

Commission: _____

Mark tool!

X

Sender:

Contact:

Tel.:

Fax:

E-mail:

Customer service:
seepex GmbH
Postfach 10 15 64
D-46215 Bottrop
service@seepex.com

Germany

Tel +492041.996-231
Fax +492041.996-431

Rest of Europe

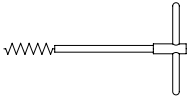
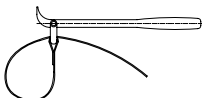
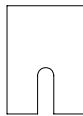
Tel +492041.996-224
Fax +492041.996-424

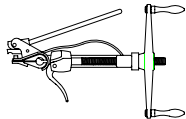
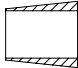
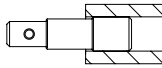
Outside Europe

Tel +492041.996-120
Fax +492041.996-432

Delivery address:

.....
.....
.....
.....

For installation of:	Packing gland	Stator	Universal joint sleeve	
Tool no.	W1 <input type="checkbox"/>	W13 <input type="checkbox"/>	W15 <input type="checkbox"/>	
Denomination:	Packing puller	Strap wrench	Mounting plate	
Order no.	PKZ	WKZ	MTP	
				

For installation of:	Holding band	Lip seal		
Tool no.	W3 <input type="checkbox"/>	W16 <input type="checkbox"/>	W17 <input type="checkbox"/>	
Denomination:	Mounting tool	Mounting sleeve	Impact cylinder, Centring pin, Mounting pin	
Order no.	MHB	MTH	ZSH	
				

12.1 Accessories/Technical information

- Accessories and technical information are commission specific documents not part of this not binding operating and assembly instruction.

13.1 Manufacturer's and supplier's documents

- Manufacturer's and supplier's documents are commission specific documents and not part of this not binding operating and assembly instruction.

Great Britain

SEPEX UK Ltd.
3 Armtech Row
Houndstone Business Park
Yeovil Somerset BA22 8RW
Tel +44.1935.472376
Fax +44.1935.479836
sales@seepex.co.uk

Austria

SEPEX GmbH
Vertriebsbüro Österreich
Obermüllergasse 18
3003 Gablitz
Tel +43.2231.61085
Fax +43.2231.6108520
hfriedl@seepex.com

Belgium

SEPEX GmbH
Bureau België
Industriezone Klein Gent-Link 21
Welvaartstraat 14-1 bus 15
2200 Herentals
Tel +32.14.501471
Fax +32.14.501461
seepex.be@seepex.com

Denmark

SEPEX Nordic A/S
Krakasvej 7C
3400 Hillerød
Tel +45.49.192200
Fax + 45.49.193200
info.nordic@seepex.com

France

SEPEX France SARL
1, Rue Pelloutier
77183 Croissy Beaubourg
Tel +33.1.64114450
Fax + 33.1.64114489
info.fr@seepex.com

Hungary

SEPEX GmbH
Magyarországi iroda
Hecskó Tamás okl.vill.mérn.
Éva utca 5.
7632 Pécs
Tel +36.205806134
Fax +36.72952587
thcsko@seepex.com

Ireland

SEPEX UK Ltd.
Branch Office Ireland
29 Lackenfune
Dungarvan
Co. Waterford
Tel +353.860450439
sales@seepex.co.uk

Italy

SEPEX Italia S.r.l.
Via Alberto da Giussano 23
20145 Milano (MI)
Tel +39.02.36569360
Fax +39.02.92877855
info.it@seepex.com

Poland

SEPEX GmbH
Przedstawicielstwo w Polsce
ul. Romana Maya 1
61-371 Poznan
Tel +48.61.6469270
Fax +48.61.6469271
info.pl@seepex.com

Sweden

SEPEX Nordic A/S
Hamndalsvägen 58
61633 Åby
Tel +46.1166940
Fax +46.1166941
info.nordic@seepex.com

Spain

SEPEX GmbH
Oficina de Representación en España
C/Copenhagen, 12
Edif. Tifan Oficina 207
28232 La Rozas
Madrid
Tel +34.91.6361353
Fax +34.91.6409371
info.es@seepex.com

The Netherlands

SEPEX GmbH
Bureau Nederland
Visbystraat 13
7418 BE Deventer
Tel +31.570.516644
Fax +31.570.516077
seepex.nl@seepex.com

Russia

SEPEX Ltd. Ugreshskaya
Str. 2 Bldg. 23
115088 Moscow
Tel +7.495.2874830
Fax +7.495.2874830
info.cis@seepex.com

USA

SEPEX Inc.
511 Speedway Drive
Enon
Ohio 45323
Tel +1.937.8647150
Fax + 1.937.8647157
sales.us@seepex.com

China

SEPEX Pumps (Shanghai) Co., Ltd.
Xuanzhong Rd. 399, Building 13
Nanhui Industrial Area
201300 Shanghai
Tel +86.21.38108888
Fax +86.21.38108899
info.cn@seepex.com

India

SEPEX India Pvt. Ltd.
Office No. 305.
Raheja Arcade Building
Sector 11, C.B.D. Belapur
Navi Mumbai 400614
Tel +91.22.40240434/35
Fax +91.22.40240436
info.ind@seepex.com

Japan

日本シーベックス株式会社
5-2-44 Onna, Atsugi-shi,
Kanagawa-ken, 243-0032
Tel +81.46.2595931
Fax +81.46.2595941
info.jp@seepex.com

Malaysia

SEPEX (M) Sdn. Bhd.
No. 2, Jalan 51/203A
Kaw. Perindustrian Tiong
Nam Seksyen 51
46050 Petaling Jaya Selangor
Darul Ehsan
Tel +60.3.88009988
seepex.m@seepex.com

Australia

SEPEX Australia Pty. Ltd.
Unit 3, 4 Bounty Close
Tuggerah Business Park
NSW 2259
Tel +61.2.43554500
Fax +61.2.43554022
info.au@seepex.com